

**BRACKET INCLUDED**



### AIR FILTER

#### POLYCARBONATE BOWL

#### METAL BOWL

#### 20 SCFM

Air Inlet (F) NPT	Body in.	Manual Drain Part No.	Automatic Drain Part No.	Manual Drain Part No.	Automatic Drain Part No.
1/8	1/8	53.1210 N	53.1211 N	53.1212 N	53.1213 N
1/4	1/8	53.1220 N	53.1221 N	53.1222 N	53.1223 N
<b>Bowl</b>		53.1832 N	53.1822 N	53.1833 N	53.1828 N
<b>*Repair kit</b>		53.1812 N	-	-	-
<b>Bracket</b>		53.1842 N	-	-	-

### Applications

- Removes water, oil and dust particles from 5 microns

### Features

- Superior quality and performance
- Solid aluminium modular construction
- Requires very little maintenance
- Reduces operating costs
- Corrosion resistant

### Specifications

**Maximum Working Pressure**  
150 PSI

**Working Temperature**  
5°C to 60°C (40°F to 140°F)

**Filtration Element**  
5 microns

#### 50 SCFM

Air Inlet (F) NPT	Body in.	Manual Drain Part No.	Automatic Drain Part No.	Manual Drain Part No.	Automatic Drain Part No.
1/4	3/8	53.1340 N	53.1341 N	53.1342 N	53.1343 N
3/8	3/8	53.1360 N	53.1361 N	53.1362 N	53.1363 N
<b>Bowl</b>		53.1834 N	53.1823 N	53.1835 N	53.1829 N
<b>*Repair kit</b>		53.1813 N	-	-	-
<b>Bracket</b>		53.1843 N	-	-	-

#### 140 SCFM

Air Inlet (F) NPT	Body in.	Manual Drain Part No.	Automatic Drain Part No.	Manual Drain Part No.	Automatic Drain Part No.
1/2	1/2	53.1470 N	53.1471 N	53.1472 N	53.1473 N
3/4	1/2	53.1580 N	53.1581 N	53.1582 N	53.1583 N
<b>Bowl</b>		53.1836 N	53.1824 N	53.1837 N	53.1830 N
<b>*Repair kit</b>		53.1814 N	-	-	-
<b>Bracket</b>		53.1844 N	-	-	-



← Tube 3/8 ID

#### 210 SCFM

Air Inlet (F) NPT	Body in.	Manual Drain Part No.	Automatic Drain Part No.	Manual Drain Part No.	Automatic Drain Part No.
3/4	3/4	53.1680 N	53.1681 N	53.1682 N	53.1683 N
1	3/4	53.1690 N	53.1691 N	53.1692 N	53.1693 N
<b>Bowl</b>		53.1836 N	53.1824 N	53.1837 N	53.1830 N
<b>*Repair kit</b>		53.1815 N	-	-	-
<b>Bracket</b>		53.1846 N	-	-	-

\* Repair kit: element, deflector and baffle



## COALESCING FILTER

**BRACKET INCLUDED**

**POLYCARBONATE BOWL**

**METAL BOWL**

### 7 SCFM

Air Inlet (F) NPT	Body in.	Manual Drain Part No.	Automatic Drain Part No.	Manual Drain Part No.	Automatic Drain Part No.
1/8	1/8	53.2210 N	53.2211 N	53.2212 N	53.2213 N
1/4	1/8	53.2220 N	53.2221 N	53.2222 N	53.2223 N
<b>Bowl</b>		53.1832 N	53.1822 N	53.1833 N	53.1828 N
<b>*Repair kit</b>		53.2812 N	-	-	-
<b>Bracket</b>		53.1842 N	-	-	-

### 16 SCFM

Air Inlet (F) NPT	Body in.	Manual Drain Part No.	Automatic Drain Part No.	Manual Drain Part No.	Automatic Drain Part No.
1/4	3/8	53.2340 N	53.2341 N	53.2342 N	53.2343 N
3/8	3/8	53.2360 N	53.2361 N	53.2362 N	53.2363 N
<b>Bowl</b>		53.1834 N	53.1823 N	53.1835 N	53.1829 N
<b>*Repair kit</b>		53.2813 N	-	-	-
<b>Bracket</b>		53.1843 N	-	-	-

### 40 SCFM

Air Inlet (F) NPT	Body in.	Manual Drain Part No.	Automatic Drain Part No.	Manual Drain Part No.	Automatic Drain Part No.
3/8	1/2	53.2460 N	53.2461 N	53.2462 N	53.2463 N
1/2	1/2	53.2470 N	53.2471 N	53.2472 N	53.2473 N
3/4	1/2	53.2580 N	53.2581 N	53.2582 N	53.2583 N
<b>Bowl</b>		53.1836 N	53.1824 N	53.1837 N	53.1830 N
<b>*Repair kit</b>		53.2814 N	-	-	-
<b>Bracket</b>		53.1844 N	-	-	-



## Applications

- Removes up to 99.9% of oil and water mist contained in compressed air
- Filters dust particles from 0.3 micron
- Any application requiring oil free and clean air such as paint shops, instrumentation or sandblasting

## Features

- Superior quality and performance
- Solid modular construction
- Requires very little maintenance
- Reduces operating costs

## Specifications

**Maximum Working Pressure**  
150 PSI

**Working Temperature**  
5°C to 60°C (40°F to 140°F)

**Filtration Element**  
0.3 micron

\* Repair kit: element, deflector and baffle

**Stainless steel FRL available  
on request**

**NEW**



### Applications

- Controls pressure for specific applications
- Ensures an uniform pressure throughout the network
- Increases tool performance

### Features

- Solid modular construction
- Requires very little maintenance
- Reduces operating costs
- Pressure gauge and bracket included

### Specifications

#### Maximum Working Pressure

150 PSI

#### Working Temperature

5°C to 60°C (40°F to 140°F)

#### Pressure Range

7 to 125 PSI

7 to 30 PSI

7 to 60 PSI

### REGULATOR

**BRACKET AND  
PRESSURE GAUGE INCLUDED**

#### 20 SCFM

Air Inlet (F) NPT	Body in.	125 PSI Setting (standard) Part No.	30 PSI Setting Part No.
1/8	1/8	53.3210 N	53.3215 N
1/4	1/8	53.3220 N	53.3225 N
<b>*Repair kit</b>		53.3801 N	
<b>Bracket</b>		53.3852 N	
Pressure gauge port : 1/8" (F) NPT			
Replacement pressure gauge :		62.1050	62.1135

#### 50 SCFM

Air Inlet (F) NPT	Body in.	125 PSI Setting (standard) Part No.	30 PSI Setting Part No.
1/4	3/8	53.3340 N	53.3345 N
3/8	3/8	53.3360 N	53.3365 N
<b>*Repair kit</b>		53.3811 N	
<b>Bracket</b>		53.3853 N	
Pressure gauge port : 1/8" (F) NPT			
Replacement pressure gauge :		62.1050	62.1135

#### 140 SCFM

Air Inlet (F) NPT	Body in.	125 PSI Setting (standard) Part No.	30 PSI Setting Part No.
1/2	1/2	53.3470 N	53.3475 N
3/4	1/2	53.3580 N	53.3585 N
<b>*Repair kit</b>		53.3820 N	
<b>Bracket</b>		53.3854 N	
Pressure gauge port : 1/4" (F) NPT			
Replacement pressure gauge :		62.2450	62.2535

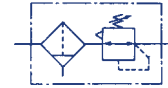
#### 245 SCFM

Air Inlet (F) NPT	Body in.	125 PSI Setting (standard) Part No.	30 PSI Setting Part No.
3/4	3/4	53.3680 N	53.3685 N
1	3/4	53.3690 N	53.3695 N
<b>*Repair kit</b>		53.3830 N	
<b>Bracket</b>		53.3854 N	
Pressure gauge port : 1/4" (F) NPT			
Replacement pressure gauge :		62.2450	62.2535

\* Repair kit: diaphragm, valve, springs and more

## FILTER/REGULATOR

**BRACKET AND  
PRESSURE GAUGE INCLUDED**



(Body 1/8)

### POLYCARBONATE BOWL

### METAL BOWL

## 18 SCFM

Air Inlet (F) NPT	Body in.	Manual Drain Part No.	Automatic Drain Part No.	Manual Drain Part No.	Automatic Drain Part No.
1/8	1/8	53.4210 N	53.4211 N	53.4212 N	53.4213 N
1/4	1/8	53.4220 N	53.4221 N	53.4222 N	53.4223 N
<b>Bowl</b>		53.1832 N	53.1822 N	53.1833 N	53.1828 N
<b>*Repair kit filter</b>		53.1812 N	-	-	-
<b>Bracket</b>		53.3852 N	-	-	-
<b>*Repair kit regulator</b>		53.3801 N	-	-	-

Pressure gauge port : 1/8" (F) NPT  
Replacement pressure gauge : 62.1050

## 60 SCFM

Air Inlet (F) NPT	Body in.	Manual Drain Part No.	Automatic Drain Part No.	Manual Drain Part No.	Automatic Drain Part No.
1/4	3/8	53.4340 N	53.4341 N	53.4342 N	53.4343 N
3/8	3/8	53.4360 N	53.4361 N	53.4362 N	53.4363 N
<b>Bowl</b>		53.1834 N	53.1823 N	53.1835 N	53.1829 N
<b>*Repair kit filter</b>		53.1813 N	-	-	-
<b>Bracket</b>		53.3853 N	-	-	-
<b>*Repair kit regulator</b>		53.3811 N	-	-	-

Pressure gauge port : 1/8" (F) NPT  
Replacement pressure gauge : 62.1050

## 105 SCFM

Air Inlet (F) NPT	Body in.	Manual Drain Part No.	Automatic Drain Part No.	Manual Drain Part No.	Automatic Drain Part No.
1/2	1/2	53.4470 N	53.4471 N	53.4472 N	53.4473 N
3/4	1/2	53.4580 N	53.4581 N	53.4582 N	53.4583 N
<b>Bowl</b>		53.1836 N	53.1824 N	53.1837 N	53.1830 N
<b>*Repair kit filter</b>		53.1814 N	-	-	-
<b>Bracket</b>		53.3854 N	-	-	-
<b>*Repair kit regulator</b>		53.3821 N	-	-	-

Pressure gauge port : 1/4" (F) NPT  
Replacement pressure gauge : 62.2450

## Applications

- Removes water, oil and dust particles from 5 microns
- Controls pressure for specific applications
- Ensures an uniform pressure throughout the network
- Increases tool performance and durability

## Features

- Solid modular construction
- Requires very little maintenance
- Reduces operating costs
- Pressure gauge and bracket included

## Specifications

**Maximum Working Pressure**  
150 PSI

**Working Temperature**  
5°C to 60°C (40°F to 140°F)

**Filtration Element**  
5 microns

**Pressure Range**  
7 to 125 PSI

\* Repair kit filter: element, deflector and baffle  
\* Repair kit regulator: Diaphragm, valve, springs and more



### Applications

- Improves performance and life of pneumatic tools

### Features

- Solid modular construction
- Requires very little maintenance
- Reduces operating costs
- Injects oil as a fine mist for optimal performance

### Specifications

#### Maximum Working Pressure

150 PSI

#### Working Temperature

5°C to 60°C (40°F to 140°F)

#### Bowl Capacity

20 SCFM : 26 ml

50 SCFM : 57 ml

140 SCFM : 170 ml

\* Oversize bowl available upon request

#### Recommended Oil

Airmax pneumatic tool oil (series 63)

### LUBRICATOR

**POLYCARBONATE  
BOWL**

**METAL  
BOWL**

#### 20 SCFM

Air Inlet (F) NPT	Body in.	Part No.	Part No.
1/8	1/8	53.5210 N	53.5212 N
1/4	1/8	53.5220 N	53.5222 N
<b>Bowl</b>		53.5832 N	53.5833 N
<b>Bracket</b>		53.1842 N	-
<b>*Repair kit</b>		53.5820 N	-

#### 50 SCFM

Air Inlet (F) NPT	Body in.	Part No.	Part No.
1/4	3/8	53.5340 N	53.5342 N
3/8	3/8	53.5360 N	53.5362 N
<b>Bowl</b>		53.5834 N	53.5835 N
<b>Bracket</b>		53.1843 N	-
<b>*Repair kit</b>		53.5830 N	-

#### 140 SCFM

Air Inlet (F) NPT	Body in.	Part No.	Part No.
1/2	1/2	53.5470 N	53.5472 N
3/4	1/2	53.5580 N	53.5582 N
<b>Bowl</b>		53.5836 N	53.5837 N
<b>Bracket</b>		53.1844 N	-
<b>*Repair kit</b>		53.5840 N	-

#### 210 SCFM

Air Inlet (F) NPT	Body in.	Part No.	Part No.
3/4	3/4	53.5680 N	53.5682 N
1	3/4	53.5690 N	53.5692 N
<b>Bowl</b>		53.5836 N	53.5837 N
<b>Bracket</b>		53.1846 N	-
<b>*Repair kit</b>		53.5850 N	-

\* Repair kit: dome, valve & o'ring

### LUBRICATION



The use of a lubricator remains the most effective method to lubricate air tools. The oil mist sprayed by the **AirMax** lubricator is perfectly mixed with compressed air to allow a better lubrication of moving equipment parts thus ensuring optimal performance.



## FILTER/REGULATOR + LUBRICATOR

## PRESSURE GAUGE AND MOUNTING BRACKET INCLUDED

### POLYCARBONATE BOWL

### METAL BOWL

### 18 SCFM

Air Inlet (F) NPT	Body in.	Manual Drain Part No.	Automatic Drain Part No.	Manual Drain Part No.	Automatic Drain Part No.
1/8	1/8	53.6210 N	53.6211 N	53.6212 N	53.6213 N
1/4	1/8	53.6220 N	53.6221 N	53.6222 N	53.6223 N

Pressure gauge port : 1/8" (F) NPT  
Replacement pressure gauge : 62.1050

### 60 SCFM

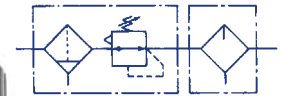
Air Inlet (F) NPT	Body in.	Manual Drain Part No.	Automatic Drain Part No.	Manual Drain Part No.	Automatic Drain Part No.
1/4	3/8	53.6340 N	53.6341 N	53.6342 N	53.6343 N
3/8	3/8	53.6360 N	53.6361 N	53.6362 N	53.6363 N

Pressure gauge port : 1/8" (F) NPT  
Replacement pressure gauge : 62.1050

### 105 SCFM

Air Inlet (F) NPT	Body in.	Manual Drain Part No.	Automatic Drain Part No.	Manual Drain Part No.	Automatic Drain Part No.
1/2	1/2	53.6470 N	53.6471 N	53.6472 N	53.6473 N
3/4	1/2	53.6580 N	53.6581 N	53.6582 N	53.6583 N

Pressure gauge port : 1/4" (F) NPT  
Replacement pressure gauge : 62.2450



### Applications

- Removes water, oil and dust particles from 5 microns
- Controls pressure for specific applications
- Ensures uniform pressure throughout the network
- Improves tool performance and durability

### Features

- Solid modular construction
- Requires very little maintenance
- Reduces operating costs
- Pressure gauge and mounting bracket included

### Specifications

#### Maximum Working Pressure

150 PSI

#### Working Temperature

5°C to 60°C (40°F to 140°F)

#### Filtration Element

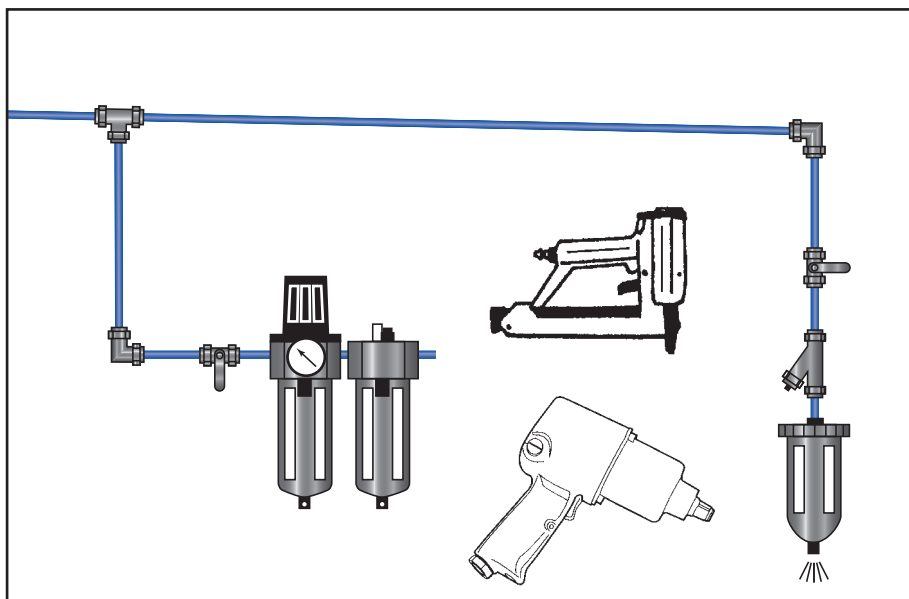
5 microns

#### Pressure Range

7 to 125 PSI

#### Recommended Oil

Airmax pneumatic tool oil (Series 63)





### Applications

- Filters dust particles from 0.3 micron
- Removes up to 99.9% of oil and water mist contained in compressed air
- Controls pressure for specific applications
- Improves paint tools and sandblasting equipment performance for applications requiring no lubrication

### Features

- Solid modular construction
- Requires very little maintenance
- Reduces operating costs
- Pressure gauge and mounting bracket included

### Specifications

#### Maximum Working Pressure

150 PSI

#### Working Temperature

5°C to 60°C (40°F to 140°F)

#### Filtration Element

0.3 micron

#### Pressure Range

7 to 125 PSI

7 to 30 PSI

7 to 60 PSI

### FILTER/REGULATOR + COALESCING FILTER

### PRESSURE GAUGE AND MOUNTING BRACKET INCLUDED

#### POLYCARBONATE BOWL

#### METAL BOWL

#### 5 SCFM

Air Inlet (F) NPT	Body in.	Manual Drain Part No.	Automatic Drain Part No.	Manual Drain Part No.	Automatic Drain Part No.
1/8	1/8	53.7210 N	53.7211 N	53.7212 N	53.7213 N
1/4	1/8	53.7220 N	53.7221 N	53.7222 N	53.7223 N

Pressure gauge port : 1/8" (F) NPT

Replacement pressure gauge : 62.1150

#### 12 SCFM

Air Inlet (F) NPT	Body in.	Manual Drain Part No.	Automatic Drain Part No.	Manual Drain Part No.	Automatic Drain Part No.
1/4	3/8	53.7340 N	53.7341 N	53.7342 N	53.7343 N
3/8	3/8	53.7360 N	53.7361 N	53.7362 N	53.7363 N

Pressure gauge port : 1/8" (F) NPT

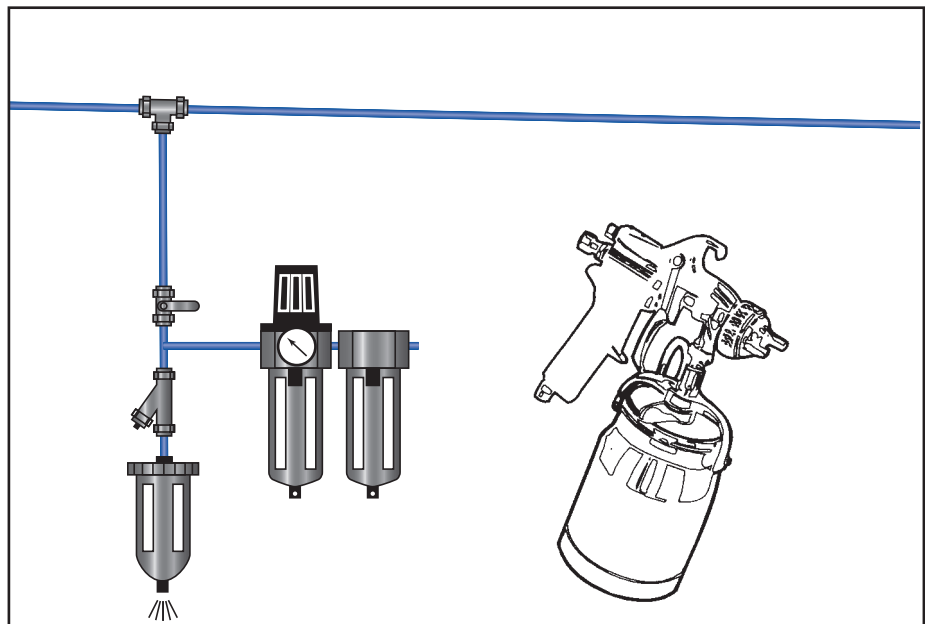
Replacement pressure gauge : 62.1150

#### 28 SCFM

Air Inlet (F) NPT	Body in.	Manual Drain Part No.	Automatic Drain Part No.	Manual Drain Part No.	Automatic Drain Part No.
3/8	1/2	53.7460 N	53.7461 N	53.7462 N	53.7463 N
1/2	1/2	53.7470 N	53.7471 N	53.7472 N	53.7473 N
3/4	1/2	53.7580 N	53.7581 N	53.7582 N	53.7583 N

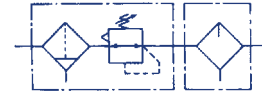
Pressure gauge port : 1/4" (F) NPT

Replacement pressure gauge : 62.2550



## FILTER + REGULATOR + LUBRICATOR

## PRESSURE GAUGE AND MOUNTING BRACKET INCLUDED



### POLYCARBONATE BOWL

### METAL BOWL

#### 18 SCFM

Air Inlet (F) NPT	Body in.	Manual Drain Part No.	Automatic Drain Part No.	Manual Drain Part No.	Automatic Drain Part No.
1/8	1/8	53.8210 N	53.8211 N	53.8212 N	53.8213 N
1/4	1/8	53.8220 N	53.8221 N	53.8222 N	53.8223 N

Pressure gauge port : 1/8" (F) NPT

Replacement pressure gauge : 62.1050

#### 70 SCFM

Air Inlet (F) NPT	Body in.	Manual Drain Part No.	Automatic Drain Part No.	Manual Drain Part No.	Automatic Drain Part No.
1/4	3/8	53.8340 N	53.8341 N	53.8342 N	53.8343 N
3/8	3/8	53.8360 N	53.8361 N	53.8362 N	53.8363 N

Pressure gauge port : 1/8" (F) NPT

Replacement pressure gauge : 62.1050

#### 140 SCFM

Air Inlet (F) NPT	Body in.	Manual Drain Part No.	Automatic Drain Part No.	Manual Drain Part No.	Automatic Drain Part No.
1/2	1/2	53.8470 N	53.8471 N	53.8472 N	53.8473 N
3/4	1/2	53.8580 N	53.8581 N	53.8582 N	53.8583 N

Pressure gauge port : 1/4" (F) NPT

Replacement pressure gauge : 62.2450

#### 175 SCFM

Air Inlet (F) NPT	Body in.	Manual Drain Part No.	Automatic Drain Part No.	Manual Drain Part No.	Automatic Drain Part No.
3/4	3/4	53.8680 N	53.8681 N	53.8682 N	53.8683 N
1	3/4	53.8690 N	53.8691 N	53.8692 N	53.8693 N

Pressure gauge port : 1/4" (F) NPT

Replacement pressure gauge : 62.2450



## Applications

- Removes water, oil and dust particles from 5 microns
- Controls pressure for specific applications
- Ensures uniform pressure throughout the network
- Increases air tool performance and durability

## Features

- Solid modular construction
- Requires very little maintenance
- Reduces operating costs
- Pressure gauge and mounting bracket included

## Specifications

**Maximum Working Pressure**  
150 PSI

**Working Temperature**  
5°C to 60°C (40°F to 140°F)

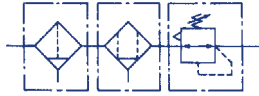
**Filtration Element**  
5 microns

**Pressure Range**  
7 to 125 PSI

**Bowl capacity**  
(voir p. 53-7)

**Recommended Oil**  
Airmax pneumatic tool oil (Series 63)





### FILTER + COALESCING FILTER + REGULATOR

**PRESSURE GAUGE AND MOUNTING BRACKET INCLUDED**

#### POLYCARBONATE BOWL

#### METAL BOWL

### 5 SCFM

Air Inlet (F) NPT	Body in.	Manual Drain Part No.	Automatic Drain Part No.	Manual Drain Part No.	Automatic Drain Part No.
1/8	1/8	53.9210 N	53.9211 N	53.9212 N	53.9213 N
1/4	1/8	53.9220 N	53.9221 N	53.9222 N	53.9223 N

Pressure gauge port : 1/8" (F) NPT  
Replacement pressure gauge : 62.1150

### Applications

- Improves paint tools and sandblasting equipment performance for applications requiring no lubrication
- Removes up to 99.9% of oil and water mist contained in compressed air
- Filters dust particles from 0.3 micron
- Controls pressure for specific applications
- Ensures uniform pressure throughout the network
- Increases tool performance and durability

### Features

- Superior quality and performance
- Solid modular construction
- Requires very little maintenance
- Reduces operating costs
- Pressure gauge and mounting bracket included

### Specifications

#### Maximum Working Pressure

150 PSI

#### Working Temperature

5°C to 60°C (40°F to 140°F)

#### Filtration Element

0.3 micron

#### Pressure Range

7 to 125 PSI

### 15 SCFM

Air Inlet (F) NPT	Body in.	Manual Drain Part No.	Automatic Drain Part No.	Manual Drain Part No.	Automatic Drain Part No.
1/4	3/8	53.9340 N	53.9341 N	53.9342 N	53.9343 N
3/8	3/8	53.9360 N	53.9361 N	53.9362 N	53.9363 N

Pressure gauge port : 1/8" (F) NPT  
Replacement pressure gauge : 62.1150

### 40 SCFM

Air Inlet (F) NPT	Body in.	Manual Drain Part No.	Automatic Drain Part No.	Manual Drain Part No.	Automatic Drain Part No.
3/8	1/2	53.9460 N	53.9461 N	53.9462 N	53.9463 N
1/2	1/2	53.9470 N	53.9471 N	53.9472 N	53.9473 N
3/4	1/2	53.9580 N	53.9581 N	53.9582 N	53.9583 N

Pressure gauge port : 1/4" (F) NPT  
Replacement pressure gauge : 62.2550

