

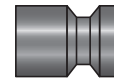
Series 26

1/4" Quick Couplers for Plastic Molds - Type P-1

Compatible with DME, Parker, Foster



1/4"



Type P-1

Applications

- Ideal for connecting coolant lines to molds used for thermoplastic, thermosetting and blow molding
- For diecasting and other types of cooling equipment

Features

- Reduces installation and maintenance time of molds and dies
- Silicone seals resistant to destructive effects of water, glycol or air
- Coupler provides a maximum flow of liquid
- Compact size helps connection into the mold
- Couplers are offered with shut-off valve or as straight through and in 4 configurations: female coupler, straight stem, 90° and 45° stems

Specifications

Maximum Working Pressure

200 PSI

Working Temperature

-68°C to 205°C (-90°F to 400°F)

Construction

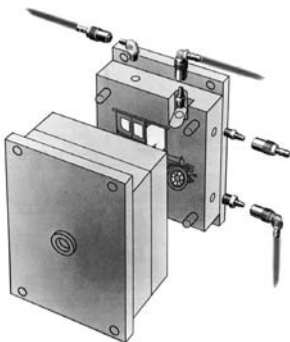
Male Plug : Brass

Female Plug : Hardened Steel

Coupler : Brass

Seals : Silicone

Balls and Springs : Stainless Steel



P1 TYPE - 1/4"

FEMALE PLUG (STEEL)



Part No.

| | |
|--------------|---------|
| 1/8" (F) NPT | 26.1122 |
| 1/4" (F) NPT | 26.1142 |
| 3/8" (F) NPT | 26.1162 |

MALE PLUG (BRASS)



Part No.

| | |
|--------------|---------|
| 1/8" (M) NPT | 26.1223 |
| 1/4" (M) NPT | 26.1243 |
| 3/8" (M) NPT | 26.1263 |

STRAIGHT THROUGH

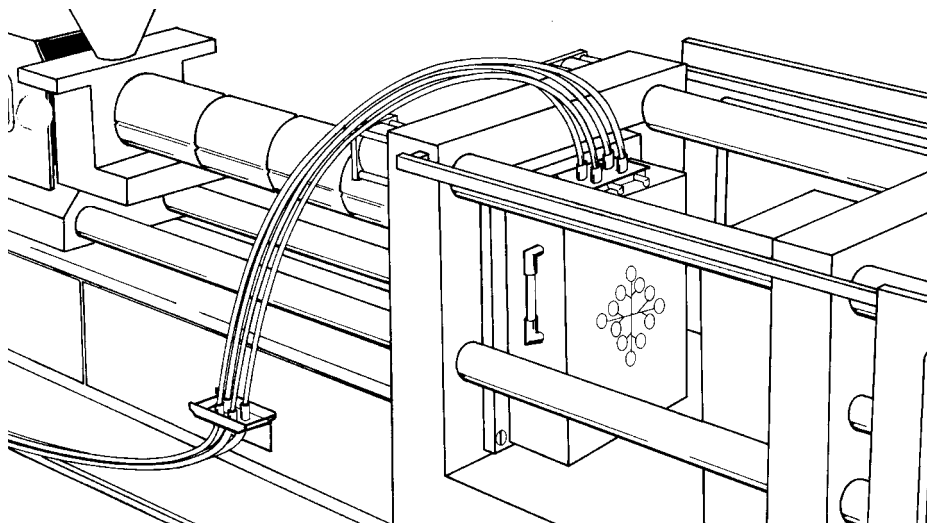


| Hose I.D. | Female Coupler | Straight Stem Hose Barb | 90° Stem Hose Barb | 45° Stem Hose Barb |
|-----------|----------------|-------------------------|--------------------|--------------------|
| 1/4" | 26.1341 (1/8) | 26.1441 | 26.1541 | 26.1641 |
| 3/8" | - | 26.1461 | 26.1561 | 26.1661 |

ONE WAY SHUT-OFF

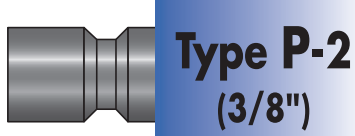


| Hose I.D. | Female Coupler | Straight Stem Hose Barb | 90° Stem Hose Barb | 45° Stem Hose Barb |
|-----------|----------------|-------------------------|--------------------|--------------------|
| 1/4" | 26.1346 (1/8) | 26.1446 | 26.1546 | 26.1646 |
| 3/8" | - | 26.1466 | 26.1566 | 26.1666 |

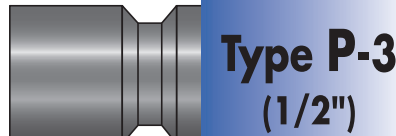


3/8" and 1/2" Quick Couplers for Plastic Molds - Type P-2 and P-3

Series 26



Type P-2
(3/8")



Type P-3
(1/2")

Compatible with DME, Parker, Foster



P2 TYPE - 3/8"

FEMALE PLUG (STEEL)



Part No.

| | |
|--------------|---------|
| 1/4" (F) NPT | 26.2142 |
| 3/8" (F) NPT | 26.2162 |
| 1/2" (F) NPT | - |

MALE PLUG (BRASS)



Part No.

| | |
|--------------|---------|
| 1/4" (M) NPT | 26.2243 |
| 3/8" (M) NPT | 26.2263 |
| 1/2" (M) NPT | 26.2273 |

Applications

- Ideal for connecting coolant lines to molds used for thermoplastic, thermosetting and blow molding
- For diecasting and other types of cooling equipment

STRAIGHT THROUGH



| Hose I.D. | Female Coupler | Straight Stem Hose Barb | 90° Stem Hose Barb | 45° Stem Hose Barb |
|-----------|----------------|-------------------------|--------------------|--------------------|
| 3/8" | 26.2361 (1/4) | 26.2461 | 26.2561 | 26.2661 |
| 1/2" | - | 26.2471 | 26.2571 | 26.2671 |

Features

- Reduces installation and maintenance time of molds and dies
- Silicone seals resistant to destructive effects of water, glycol or air
- Coupler provides a maximum flow of liquid
- Compact size helps connection into the mold
- Couplers are offered with shut-off valve or as straight through and in 4 configurations: female coupler, straight stem, 90° and 45° stems

ONE WAY SHUT-OFF

| Hose I.D. | Female Coupler | Straight Stem Hose Barb | 90° Stem Hose Barb | 45° Stem Hose Barb |
|-----------|----------------|-------------------------|--------------------|--------------------|
| 3/8" | 26.2366 (1/4) | 26.2466 | 26.2566 | 26.2666 |
| 1/2" | - | 26.2476 | 26.2576 | 26.2676 |

Specifications

Maximum Working Pressure

200 PSI

Working Temperature

-68°C to 205°C (-90°F to 400°F)

Construction

Male Plug : Brass

Female Plug : Hardened Steel

Coupler : Brass

Seals : Silicone

Balls and Springs : Stainless Steel

P3 TYPE - 1/2"

FEMALE PLUG (STEEL)



Part No.

| | |
|--------------|---------|
| 1/2" (F) NPT | 26.3172 |
| 3/4" (F) NPT | 26.3182 |

MALE PLUG (BRASS)



Part No.

| | |
|--------------|---------|
| 1/2" (M) NPT | 26.3273 |
| 3/4" (M) NPT | 26.3283 |

STRAIGHT THROUGH



| Hose I.D. | Female Coupler | Straight Stem Hose Barb | 90° Stem Hose Barb | 45° Stem Hose Barb |
|-----------|----------------|-------------------------|--------------------|--------------------|
| 1/2" | 26.3371 | 26.3471 | 26.3571 | 26.3671 |
| 3/4" | - | 26.3481 | 26.3581 | 26.3681 |

