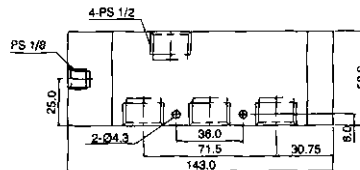
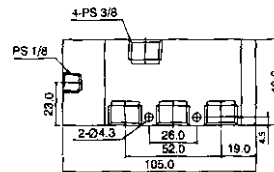
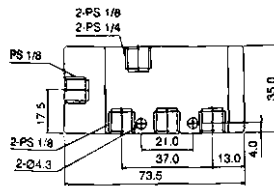
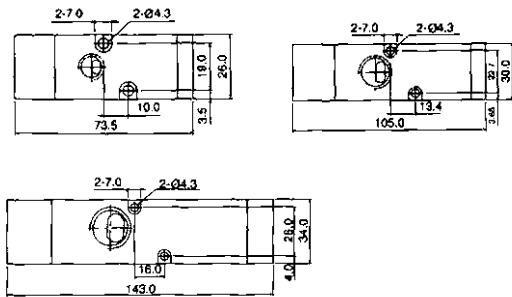


## SINGLE AIR PILOT VALVE 3 WAY/2 POSITION



Part No.	Thread (F) NPT	CV
79.1110	1/8	0.65
79.1120	1/4	1.08
79.1130	3/8	2.30
79.1140	1/2	3.50



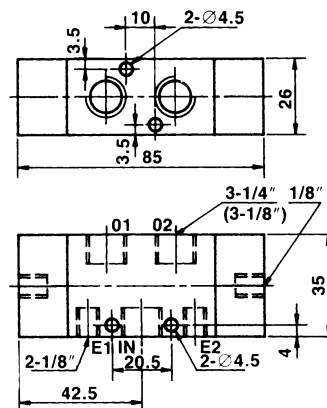
3 way / 2 position



## DOUBLE AIR PILOT VALVE 3 WAY/2 POSITION



Part No.	Thread (F) NPT	CV
79.1210	1/8	0.65
79.1220	1/4	1.08
79.1230	3/8	2.30
79.1240	1/2	3.50



### Features

- Pneumatic piloted aluminum valve
- Available in single or double air piloted valve configurations

### Specifications

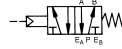
**Maximum Working Pressure**  
150 PSI

**Working Temperature**  
-10°C to 50°C (14°F to 122°F)

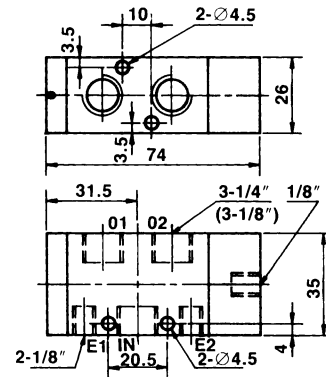
For any questions  
or information about  
compressed air  
you may contact us at  
**Tel. : 1-888-730-0501**  
**Fax : 1-888-730-3522**  
or visit our web site at  
**www.airmax.ca**



### SINGLE AIR PILOT VALVE 5 WAY/2 POSITION



Part No.	Thread (F) NPT	CV
79.2110	1/8	0.55
79.2120	1/4	1.00
79.2130	3/8	2.72
79.2140	1/2	4.44



### Features

- Pneumatic piloted aluminum valve
- Air pressure operated spool
- Single or double acting

### Specifications

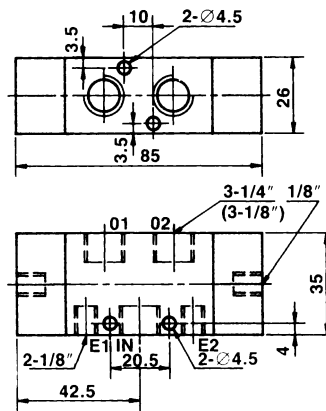
**Maximum Working Pressure**  
150 PSI

**Working Temperature**  
-10°C to 50°C (14°F to 122°F)

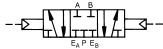
### DOUBLE AIR PILOT VALVE 5 WAY/2 POSITION



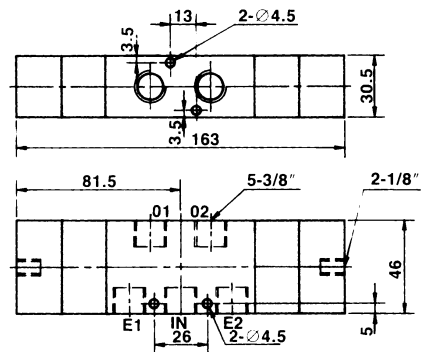
Part No.	Thread (F) NPT	CV
79.2210	1/8	0.55
79.2220	1/4	1.00
79.2230	3/8	2.72
79.2240	1/2	4.44



### DOUBLE AIR PILOT VALVE CLOSED CENTER 5 WAY/3 POSITION



Part No.	Thread (F) NPT	CV
79.2310	1/8	0.55
79.2320	1/4	1.00
79.2330	3/8	2.72
79.2340	1/2	4.44



For any questions  
or information about  
compressed air  
you may contact us at  
**Tel. : 1-888-730-0501**  
**Fax : 1-888-730-3522**  
or visit our web site at  
[www.airmax.ca](http://www.airmax.ca)