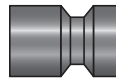


# Series 26

## 1/4" Quick Couplers for Plastic Molds - Type P-1

1/4"



Type P-1

Compatible with DME, Parker, Foster

### P1 TYPE - 1/4"

#### FEMALE PLUG (STEEL)



Part No.

1/8" (F) NPT	26.1122
1/4" (F) NPT	26.1142
3/8" (F) NPT	26.1162

#### MALE PLUG (BRASS)



Part No.

1/8" (M) NPT	26.1223
1/4" (M) NPT	26.1243
3/8" (M) NPT	26.1263



### Applications

- Ideal for connecting coolant lines to molds used for thermoplastic, thermosetting and blow molding
- For diecasting and other types of cooling equipment

### STRAIGHT THROUGH



Hose I.D.	Female Coupler	Straight Stem Hose Barb	90° Stem Hose Barb	45° Stem Hose Barb
1/4"	26.1341 (1/8)	26.1441	26.1541	26.1641
5/16"	-	26.1451	26.1551	26.1651
3/8"	-	26.1461	26.1561	26.1661

### ONE WAY SHUT-OFF



Hose I.D.	Female Coupler	Straight Stem Hose Barb	90° Stem Hose Barb	45° Stem Hose Barb
1/4"	26.1346 (1/8)	26.1446	26.1546	26.1646
5/16"	-	26.1456	26.1556	26.1656
3/8"	-	26.1466	26.1566	26.1666

### Features

- Reduces installation and maintenance time of molds and dies
- Silicone seals resistant to destructive effects of water, glycol or air
- Coupler provides a maximum flow of liquid
- Compact size helps connection into the mold
- Couplers are offered with shut-off valve or as straight through and in 4 configurations: female coupler, straight stem, 90° and 45° stems

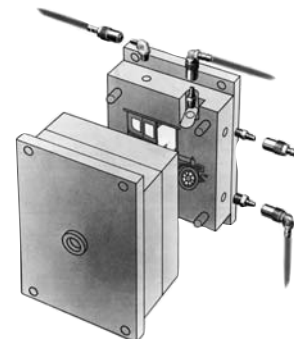
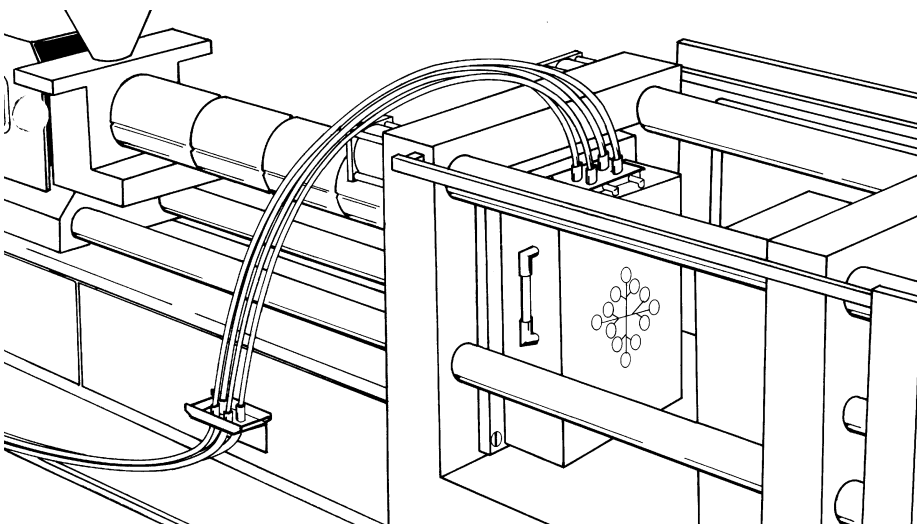
### Specifications

**Maximum Working Pressure**  
200 PSI

**Working Temperature**  
-68°C to 205°C (-90°F to 400°F)

#### Construction

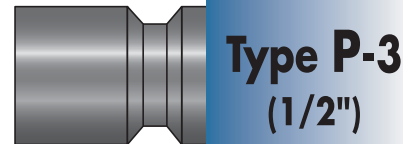
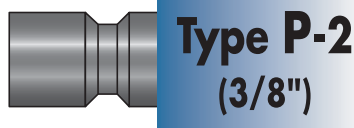
Male Plug : Brass  
 Female Plug : Hardened Steel  
 Coupler : Brass  
 Seals : Silicone  
 Balls and Springs : Stainless Steel



# 3/8" and 1/2" Quick Couplers for Plastic Molds - Type P-2 and P-3

# Series 26

Compatible with DME, Parker, Foster



## Applications

- Ideal for connecting coolant lines to molds used for thermoplastic, thermosetting and blow molding
- For diecasting and other types of cooling equipment

## Features

- Reduces installation and maintenance time of molds and dies
- Silicone seals resistant to destructive effects of water, glycol or air
- Coupler provides a maximum flow of liquid
- Compact size helps connection into the mold
- Couplers are offered with shut-off valve or as straight through and in 4 configurations: female coupler, straight stem, 90° and 45° stems

## Specifications

### Maximum Working Pressure

200 PSI

### Working Temperature

-68°C to 205°C (-90°F to 400°F)

### Construction

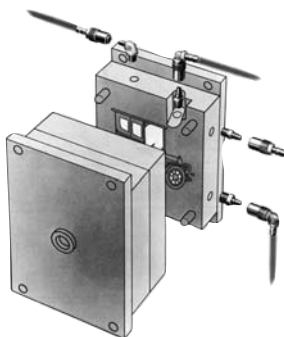
Male Plug : Brass

Female Plug : Hardened Steel

Coupler : Brass

Seals : Silicone

Balls and Springs : Stainless Steel



## P2 TYPE - 3/8"

### FEMALE PLUG (STEEL)



### MALE PLUG (BRASS)



	Part No.
1/4" (F) NPT	26.2142
3/8" (F) NPT	26.2162
1/2" (F) NPT	-

	Part No.
1/4" (M) NPT	26.2243
3/8" (M) NPT	26.2263
1/2" (M) NPT	26.2273

## STRAIGHT THROUGH



Hose I.D.	Female Coupler	Straight Stem Hose Barb	90° Stem Hose Barb	45° Stem Hose Barb
3/8"	26.2361 (1/4)	26.2461	26.2561	26.2661
3/8" (high flow)	26.2363	26.2463	26.2563	26.2663
1/2"	-	26.2471	26.2571	26.2671

## ONE WAY SHUT-OFF

Hose I.D.	Female Coupler	Straight Stem Hose Barb	90° Stem Hose Barb	45° Stem Hose Barb
3/8"	26.2366 (1/4)	26.2466	26.2566	26.2666
1/2"	-	26.2476	26.2576	26.2676

## P3 TYPE - 1/2"

### FEMALE PLUG (STEEL)



### MALE PLUG (BRASS)



	Part No.
1/2" (F) NPT	26.3172
3/4" (F) NPT	26.3182

	Part No.
1/2" (M) NPT	26.3273
3/4" (M) NPT	26.3283

## STRAIGHT THROUGH



Hose I.D.	Female Coupler	Straight Stem Hose Barb	90° Stem Hose Barb	45° Stem Hose Barb
1/2"	26.3371	26.3471	26.3571	26.3671
3/4"	-	26.3481	26.3581	26.3681